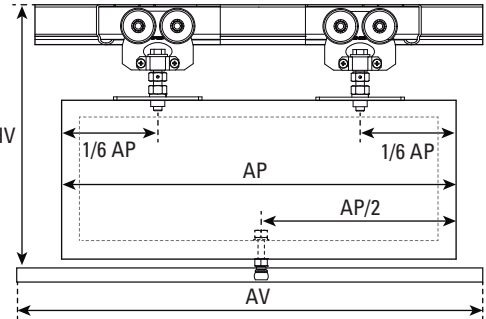


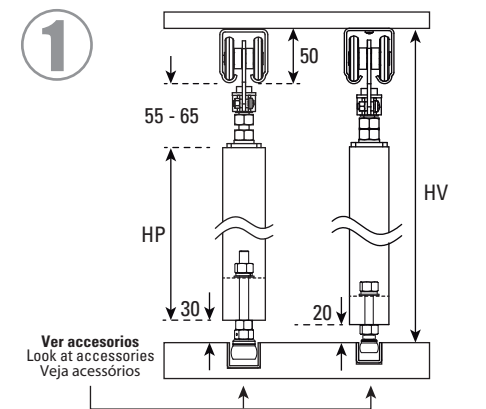
D300 HD / DN300 HD

1x(300kg) 661 lbs	1 1 puerta 1 porta 1 door	> 32mm > 1 1/4" Espesor puerta Espessura porta Door thickness	45 50 Riel U300 Trilho U300 Carrier track U300
-----------------------------	---	---	---



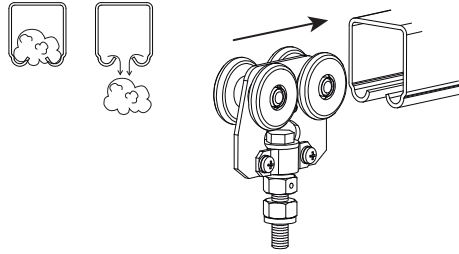
mm	Decimal inches	Aprox Fraction	mm	Decimal inches	Aprox Fraction
1	0.0394	3/64	6	0.2362	15/64
2	0.0787	5/64	7	0.2756	9/32
3	0.1181	1/8	8	0.3150	5/16
4	0.1575	5/32	9	0.3543	23/64
5	0.1969	13/64	10	0.3937	25/64

Todas las medidas expresadas en milímetros / Todas as medidas estão em milímetros / All measurements in millimeters.

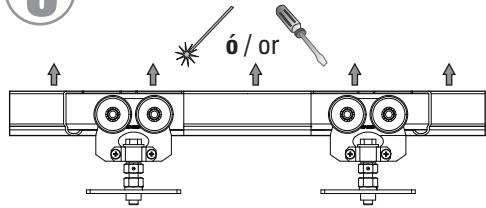


2

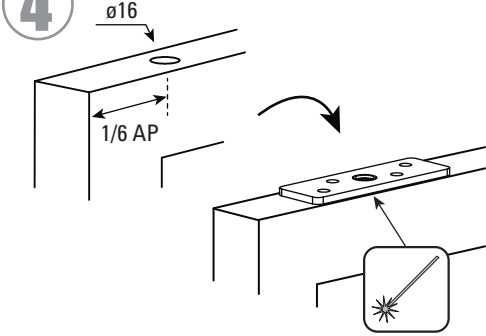
Limpiar el riel
Clean the carrier track
Limpiar o trilho



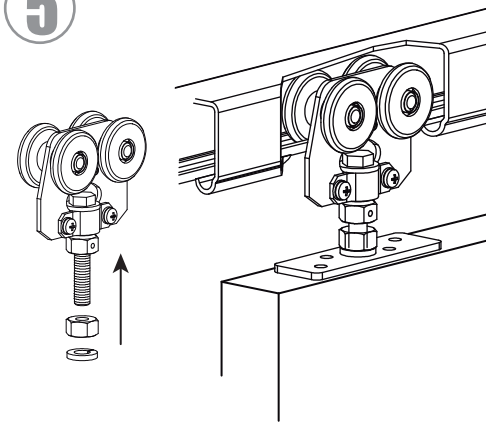
3



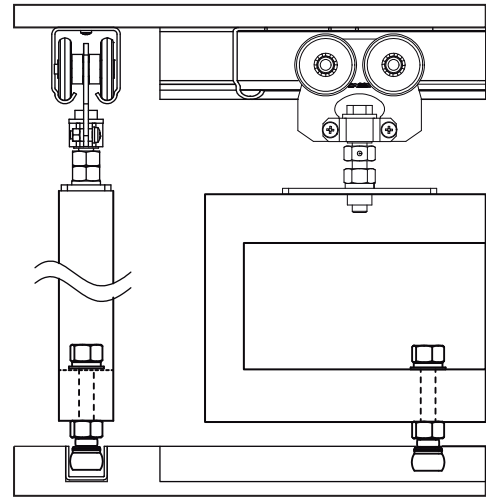
4



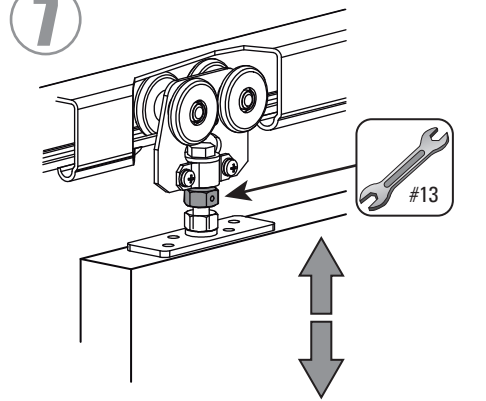
5



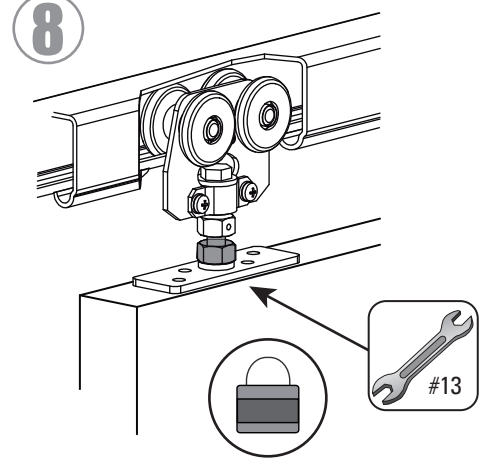
6



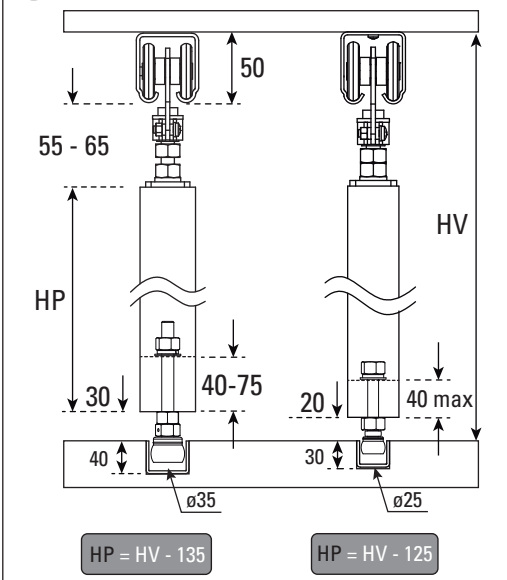
7



8



* ACCESORIOS / ACESSÓRIOS / ACCESSORIES



HP = HV - 135

HP = HV - 125

Guía 35 Nylon / Bronze	Guía 25 Nylon / Bronze
Guía 35 Nylon / Bronze	Guía 25 Nylon / Bronze
Guide 35 Nylon / Bronze	Guide 25 Nylon / Bronze

Soporte lateral U300	Soporte lateral U300
Lateral support U300	Soporte lateral U300

Soporte superior U300	Soporte superior U300
Top support U300	Soporte superior U300

Tope superior U300	Tope superior U300
Top bumper U300	Kit top superior U300

Tope inferior U300	Tope inferior U300
Floor bumper U300	Kit top inferior U300