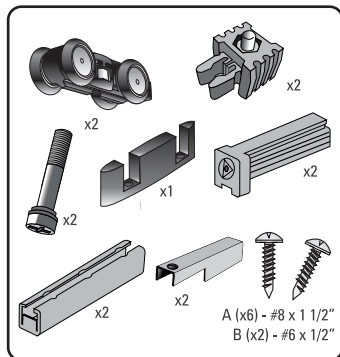
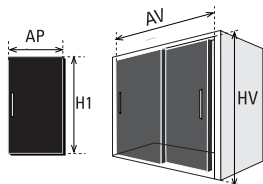


# DN 50 LT



Riel U45 AL  
Trilho U45 AL  
Carrier Track U45

H1 = HV - 39mm  
AP = AV/2 + 40mm min.



A (x6) - #8 x 1 1/2"  
B (x2) - #6 x 1/2"

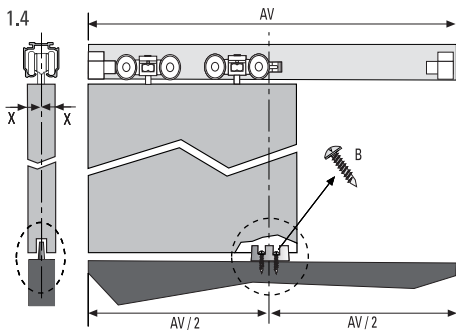
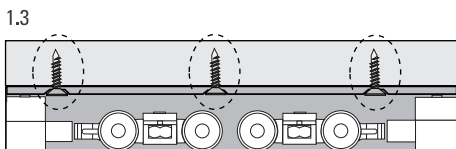
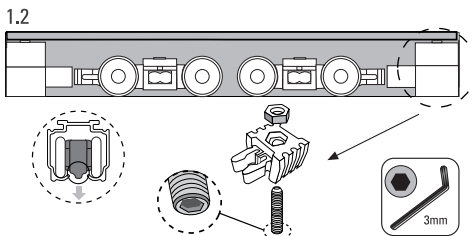
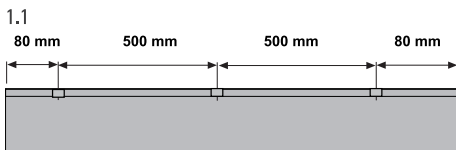
Todas las medidas expresadas en milímetros

Todas as medidas estão em milímetros.

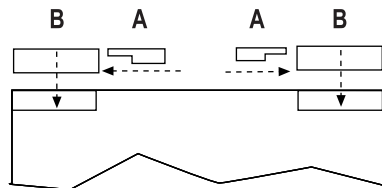
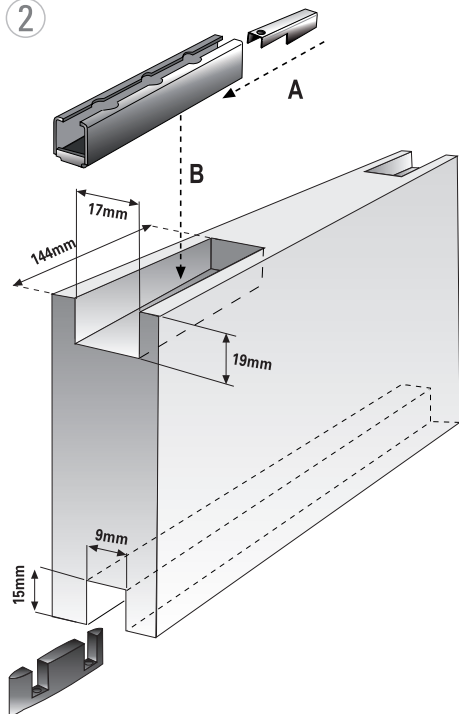
All measurements in millimeters.

mm	Decimal inches	Aprox Fraction	mm	Decimal inches	Aprox Fraction
1	0.0394	3/64	6	0.2362	15/64
2	0.0787	5/64	7	0.2756	9/32
3	0.1181	1/8	8	0.3150	5/16
4	0.1575	5/32	9	0.3543	23/64
5	0.1969	13/64	10	0.3937	25/64

1

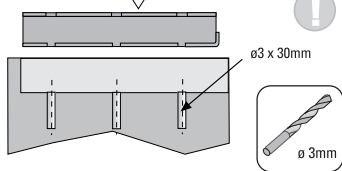


2

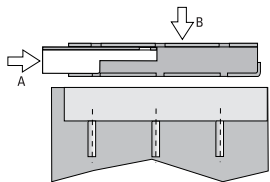


3

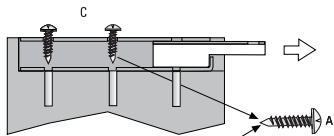
3.1



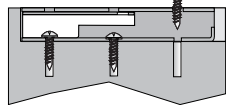
3.2



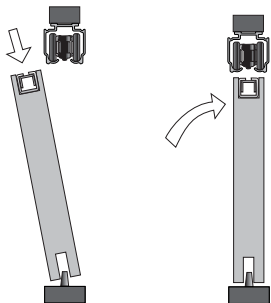
3.3



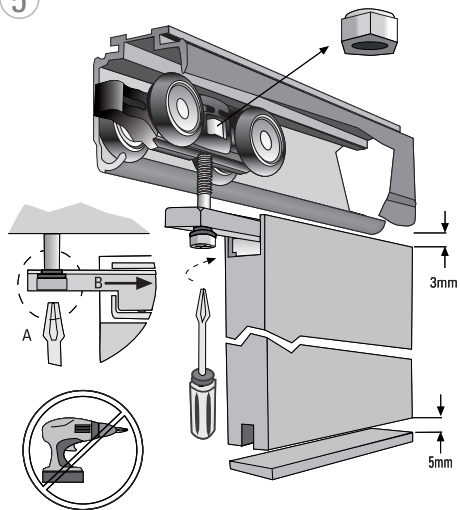
3.4



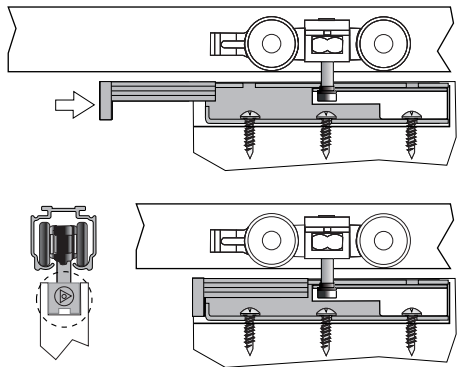
4



5

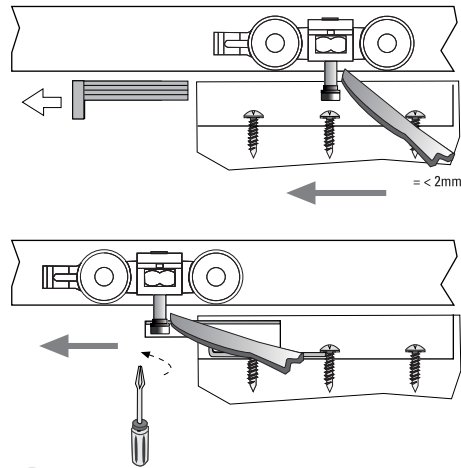


6



7

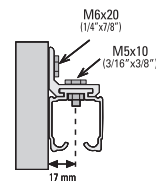
DESMONTAJE / DISASSEMBLY



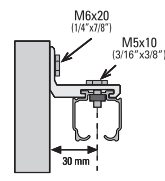
\*

ACCESORIOS / ACCESSORIES

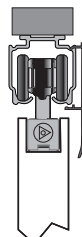
24 < E < 30 mm.



Conector Muro  
Conector Lateral  
Wall Mounting Bracket  
24 ≤ E ≤ 30mm



Conector Muro Ancho  
Conector Lateral Largo  
Wide Wall Mounting Bracket  
30 ≤ E ≤ 50mm



Cenefa U45  
Saneña U45  
Fascia U45  
(E = < 30mm)