

# D150 HD / DN150 HD

**1x (150kg)**  
330 lbs  
**1 puerta**  
1 porta  
1 door  
**≥ 32mm**  
≥ 1 1/4"  
**44**  
49

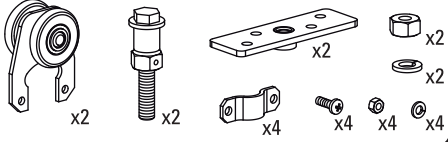
Peso máx. puerta  
Peso max. porta  
Max. Door weight

1 puerta  
1 porta  
1 door

Espesor puerta  
Espessura porta  
Door thickness

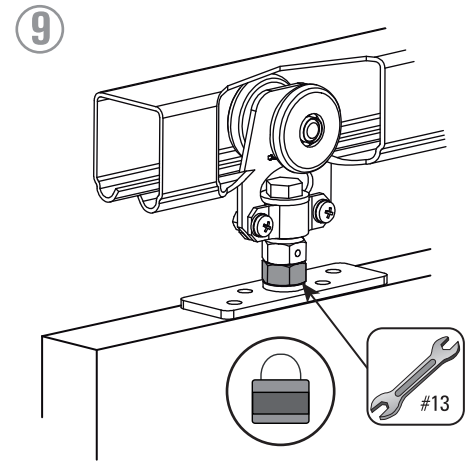
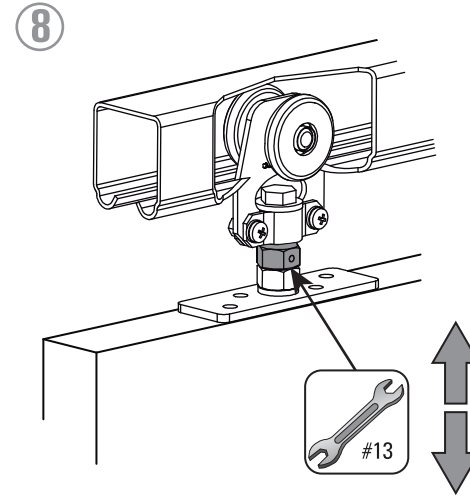
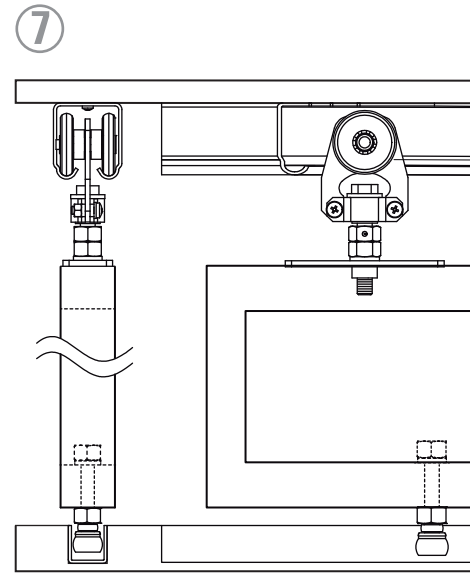
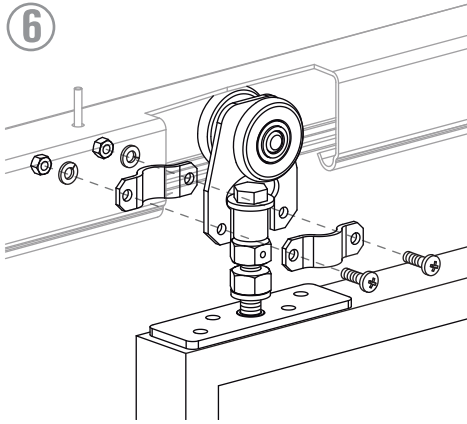
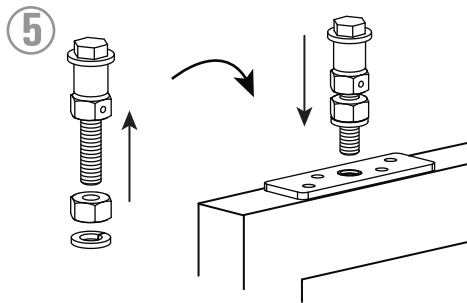
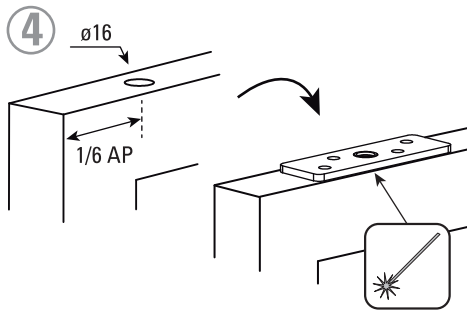
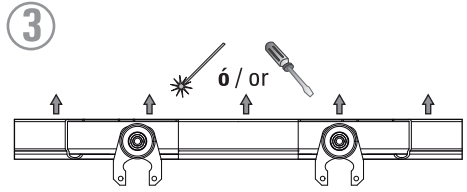
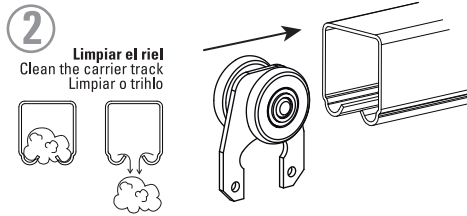
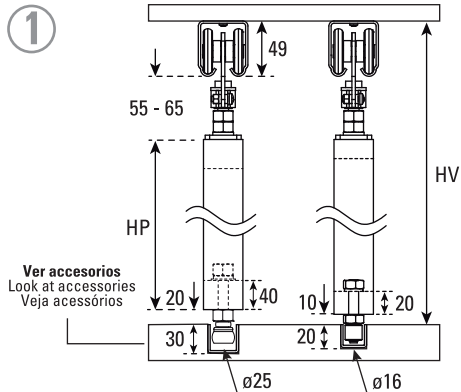
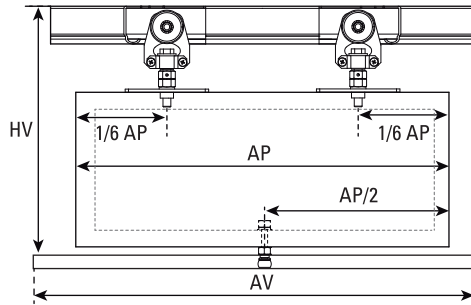
Riel U150  
Triho U150  
Carrier track U150

**COMPONENTES / COMPONENTES / COMPONENTS**

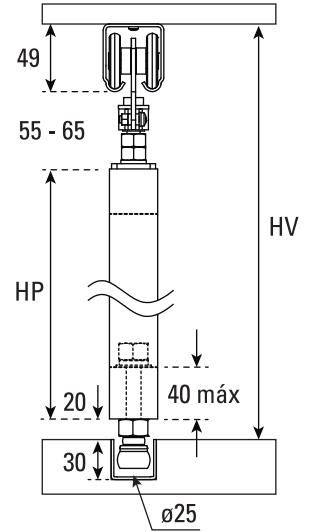


mm	Decimal inches	Aprox Fraction	mm	Decimal inches	Aprox Fraction
1	0.0394	3/64	6	0.2362	15/64
2	0.0787	5/64	7	0.2756	9/32
3	0.1181	1/8	8	0.3150	5/16
4	0.1575	5/32	9	0.3543	23/64
5	0.1969	13/64	10	0.3937	25/64

Todas las medidas expresadas en milímetros / Todas as medidas estão em milímetros / All measurements in millimeters.

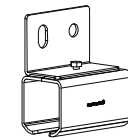
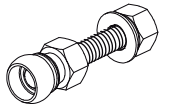


\* ACCESORIOS / ACESSÓRIOS / ACCESSORIES



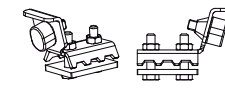
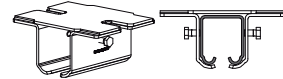
HP = HV - 124

Guía 25 Nylon / Bronce  
Guia 25 Nylon / Bronze  
Guide 25 Nylon / Bronze



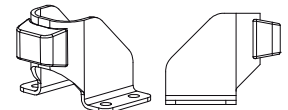
Soporte lateral U300  
Lateral support U300  
Suporte lateral U300

Soporte superior U300  
Top support U300  
Suporte superior U300



Tope superior U300  
Top bumper U300  
Kit top superior U300

Tope inferior U300  
Floor bumper U300  
Kit top inferior U300



V28.06.22  
OP: